

DC solenoid valve for pneumatic application

3

Product group

V PK M 007

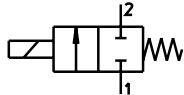
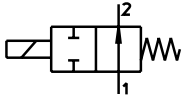
- According to DIN VDE 0580
- Miniature valve
- Armature space pressure tight up to 40 bar static pressure
- Function 2/2 NO, 2/2 NC
- Exciter coil corresponds to insulation class B
- Electrical connection and protection class with duly executed installation
 - Connection via soldering pin
 - Protection class according to DIN VDE 0470 / EN 60529 - IP 00
- Compact construction
- Other ways of fastening on request
- Manifold mounting possible
- Please ask us for solutions relating to your special applications
- Modifications and special designs as well as accessories such as functions 3/2 NO/NC on request



Fig. 1: V PK M 007 K00 A03/A04



Technical data

V PK M 007 K00	A03	A04
Voltage U_N	24 VDC \pm 10 %	
Operating mode with single mounting	S3 (50%)	
Rated current I_{20}	46 mA	
Rated power P_{20}	1 W	
Operating temperature Medium	+5 °C ... + 50 °C	
Pressure range	unooled filtered air 2-8 bar	
Nominal width	0,55mm	0,4mm
Normal rated flow Q_m 1-2	≥ 7 l/min	3,5 l/min
Function	2/2 NC	2/2 NO
Circuit diagram		

Rated voltage is \approx 24 V. The exciter coil can be adjusted to a rated voltage of max. \approx 36 V on request.

The pneumatic values indicated in the tables refer to 90% of the rated voltage ($U_N = \approx$ 24 V) and to the normal operating temperature.

Due to natural dispersion these pneumatic values may deviate by approx. 10% from the values indicated in the tables.


The normal operating temperature is based on:

- Mounting on heat-insulating base
- Rated voltage \approx 24 V
- Operating mode S3 (50%)
- Reference temperature 20° C

These data apply for the medium of compressed air.

We recommend using compressed air corresponding to DIN ISO 8573/1 class 3

This part list is a document for technically qualified personnel. The present publication is for informational purposes only and shall not be construed as mandatory illustration of the products unless otherwise confirmed expressively.

Please make sure that the described devices are suitable for your application. Supplementary information concerning its duly assembly can be found also in -Technical Explanations, in the effective DIN VDE0580 as well as in the relevant specifications.

Information and remarks concerning European directives can be taken from the correspondent information sheet which is available under *Produktinfo.Magnet-Schultz.com*.

Note on the RoHS guideline 2002/95/ EC

According to our current state of knowledge the devices pictured in this document do not contain any substances in concentration values or applications for which putting into circulation with products manufactured from them is prohibited in accordance to RoHS.

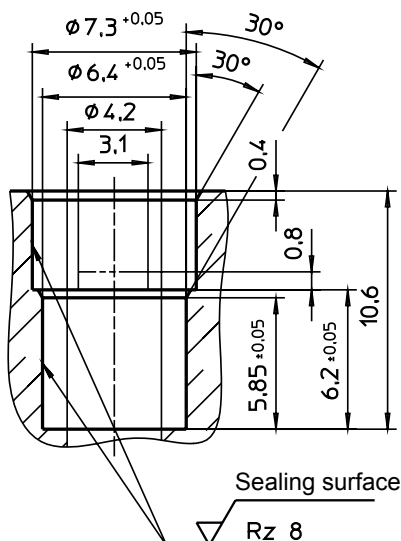


Fig. 2: Connection diagram for V PK M 007 K00 A03/A04

Dimension table

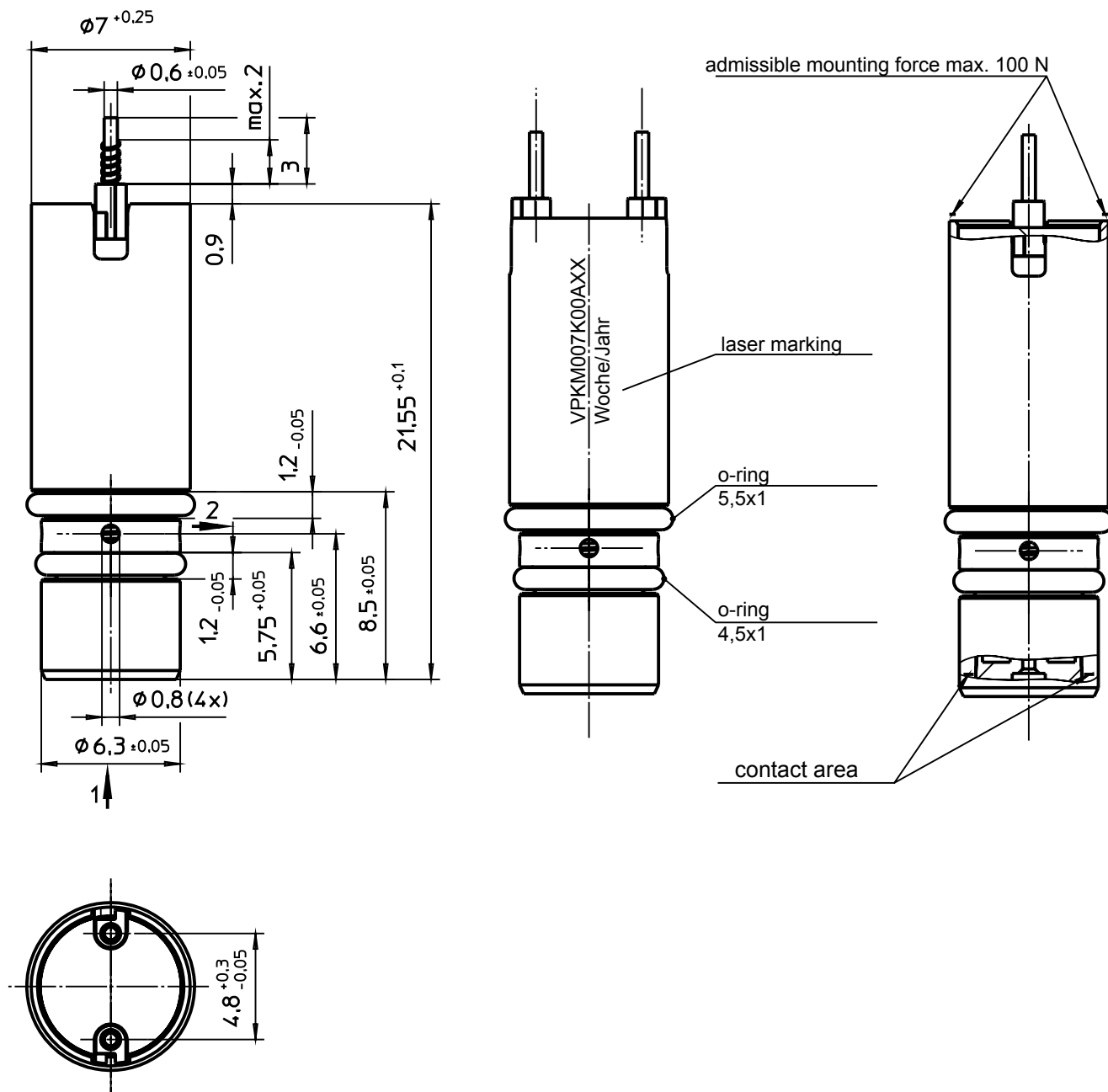


Fig. 3: Type V PK M 007 K00 A03/A04




Order example

Type	V PK M 007 K00 A03
Voltage	\equiv 24 V DC
Operating mode	S3 (50%)

Special designs

We are pleased to solve application-oriented problems.

A reliable solution can be found out, if you put at our disposal detailed information about the application conditions in accordance with the -Technical Explanations.

Please don't hesitate to contact our responsible technical office to receive support.